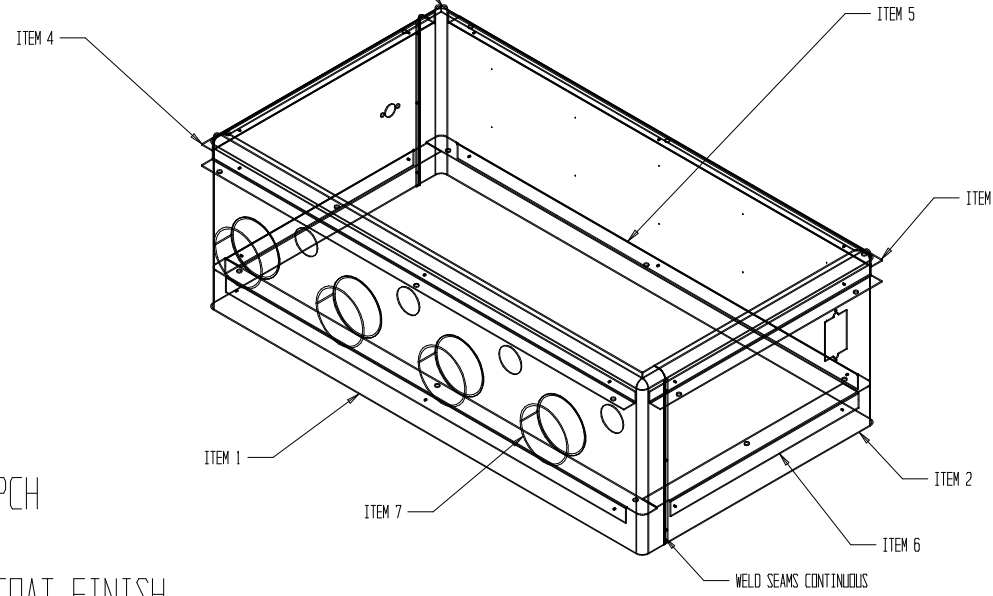


WELD AND DRESS CORNERS. TOP FLANGE TO BE FLUSH



SIGRIST
CUSTOM PCH

POWDER COAT FINISH

